



Mobile Slit Lamp Microscope MS1

Serving Your Vision

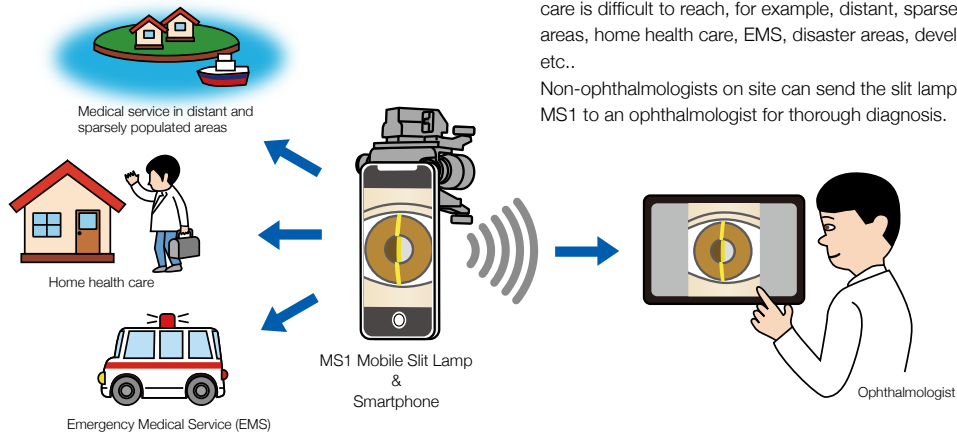


*This image is an example of installing a smartphone. A smartphone is NOT included in this product.

*The eye image is inserted into the smartphone screen by edit. The photo used was actually taken by MS1 and a smartphone.



Mobile Slit Lamp Microscope MS1



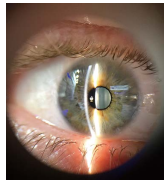
Wherever you are together with smartphone

With a smartphone, not only ophthalmologists but also non-ophthalmologists can acquire slit lamp images anywhere eye medical care is difficult to reach, for example, distant, sparsely populated areas, home health care, EMS, disaster areas, developing countries, etc..

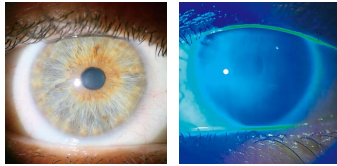
Non-ophthalmologists on site can send the slit lamp images taken by MS1 to an ophthalmologist for thorough diagnosis.

Equipped with slit lamp basic functions

High-brightness LED provides up to 40,000lux. 0.2mm width slit illumination from 30° left, ø14mm length illumination, a blue filter as standard, and wide area illumination by diffuser.



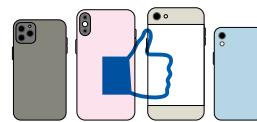
*Slit illumination width and illumination angle are not variable.



Various smartphones attachable

Most smartphones with the small protrusion camera lens fitted on the top left side of the phone can be used with MS1.

Attachable smartphones



- Camera at upper left
- Small camera bump



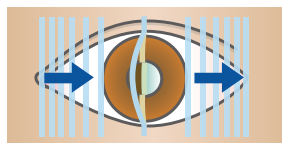
- Camera at upper center
- Camera at upper right
- Large camera bump
- Foldable type
- etc.

Excellent usability

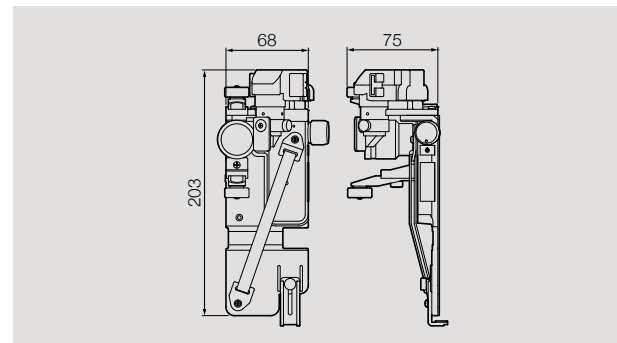
Forehead and cheek rests are designed to fix the device in position for stable photographing. The rollers at the tip of the forehead and cheek rests enable scanning/taking a video of eyeball from end to end.



*In case that a smartphone has the videography function.



Dimensions



Specifications

| | |
|-------------------------|---|
| Slit illumination angle | 30° fixed from left |
| Slit width, length | 0.2, 1.4 mm |
| Light-intensity control | Continuously variable, ON/OFF |
| Power supply | Two AAA batteries |
| Battery life | 1.5H (When illumination is maximum and using Panasonic Eneloop AAA batteries) |
| Weight | 230 g (except a smartphone and batteries) |

Co-Development: MITAS Medical Inc.
MS1 was co-developed with MITAS Medical Inc. A dedicated app is provided by MITAS Medical Inc.
MITAS Medical Inc.
8F Aoyama Tower Place 8-4-14, Akasaka, Minato-ku, Tokyo, 107-0052, Japan
URL: <https://www.mitasmedical.com/>
Email: info@mitasmedical.com

Caution To ensure safe and correct handling please read the user manual before using.

- Description and appearance as detailed in this brochure may be subject to change as improvements are made to products.
- Colours as they appear in brochure photographs may be slightly different to actual products due to lighting conditions when photographs were taken, or print colours.



For The Americas, Asia-Pacific & Middle East
TAKAGI SEIKO CO., LTD.
330-2 Iwafune, Nakano-shi, Nagano-ken, 383-8585, Japan
TEL : +81(0)269-22-4511(Switchboard) URL : <https://www.takagi-j.com>



Your local distributor



For Europe & Africa
Takagi Ophthalmic Instruments Europe Ltd
Citylabs 1.0, Nelson Street, Manchester, M13 9NQ, UK
TEL : +44 (0)161 273 6330 URL : <https://www.takagi-europe.com>